



*Innovation Excellence through  
Global Manufacturing and Distribution*

Rotary Heat Transfer Machines

**High productivity  
Dye sublimation  
Dye fixation**



**LFO 72-60/GFO 126-60**

The AIT Grand Format rotary heat press is the culmination of over 25 years of manufacturing heat presses for the sublimation printing industries. High productivity, quality engineering design and conscientious after-the sale service are all good reasons for investing with AIT for all needs in dye-sub printing or textile dye fixation.

A self contained, oil heated drum system, assures uniform heat across the width of the cylinder and the lowest possible power consumption.

Compare features with all competition! High productivity with low power consumption – a printing speed as much as 16 fpm with the lowest power consumption per printed foot of any comparable machine. Multiple safety systems, high quality electronic and pneumatic components and ergonomic, light weight air shafts minimize down time and maximizes investment return.



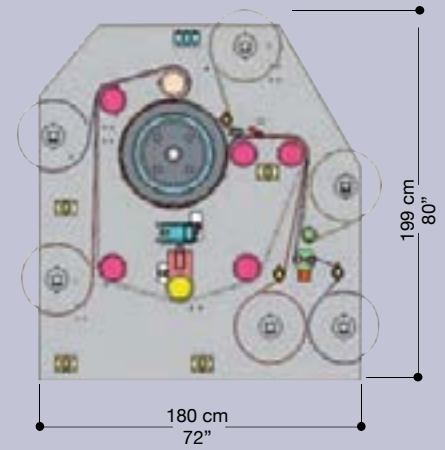
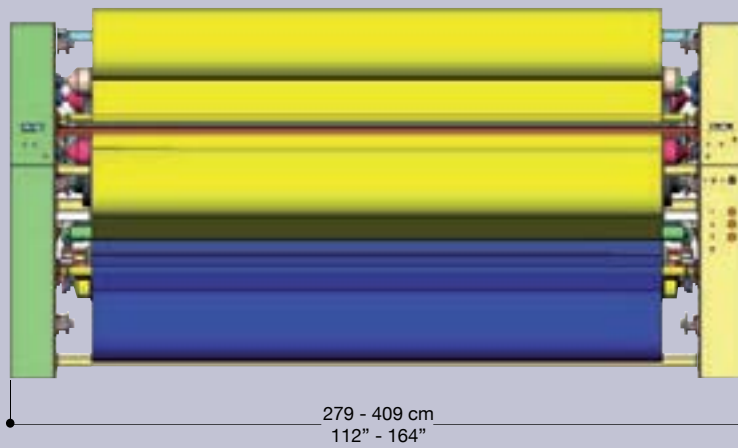
# LFO 72-60/GFO 126-60

## Rotary Heat Transfer Machines





# LFO 72-60/GFO 126-60



## Technical features

- Oil-heated drum. Self contained with digital heat control
- Digital variable speed control
- \* Unique belt steering system maintains constant belt position
- Multiple printing widths available
- 3 unwinds with pneumatic clutches
- \* 3 rewinds with pneumatic clutches and independent motor speed controllers
- \* Six lightweight air shafts
- Safety chucks for fast and safe loading and operation
- Large 24" (60cm) diameter heated drum for faster speeds
- 16 fpm printing speed at 20 second dwell time
- Twin "S" wrap bars for fabric tensioning
- Hand safety protection at entrance
- E Stops at all corners
- \* Lanyard controlled reversing system for safety & ease of feeding
- \* Dual Safety Reversing Systems
- \* Low maintenance, brushless drive motor
- \* Automatic cool down at shut down

## Specifications

MODEL	BELT SIZE	WORKING WIDTH	POWER INSTALLED @ 220/3PH	AVERAGE CONSUMPTION	NET WEIGHT	DIMENSIONS
LFO 72-60	198 cm/78"	190cm/75"	68 AMPS	70 AMPS	1890kg/4200lbs	180/253/190 cm 71"/110"/78"
GFO 126-60	328 cm/129"	320cm/126"	130 AMPS	90 AMPS	4000kg/8830lbs	180/409/199 cm 71"/161"/78"



**Advanced Innovative Technologies, LLC**  
 530 Wilbanks Drive, Ball Ground, GA 30107  
 Tel. 770 479 1900 Fax: 770 479 4179

e-mail: [info@aitequipment.com](mailto:info@aitequipment.com)  
 web: [www.aitequipment.com](http://www.aitequipment.com)

\* Unique AIT Features

THIS PRODUCT IS BROUGHT TO YOU BY

**NAZDAR**  
SOURCEONE

VISIT US ONLINE  
[SourceOne.Nazdar.com](http://SourceOne.Nazdar.com)

CALL US  
 888-578-5713

© 2022 Nazdar. All Rights Reserved.  
 Specifications subject to change without notice.