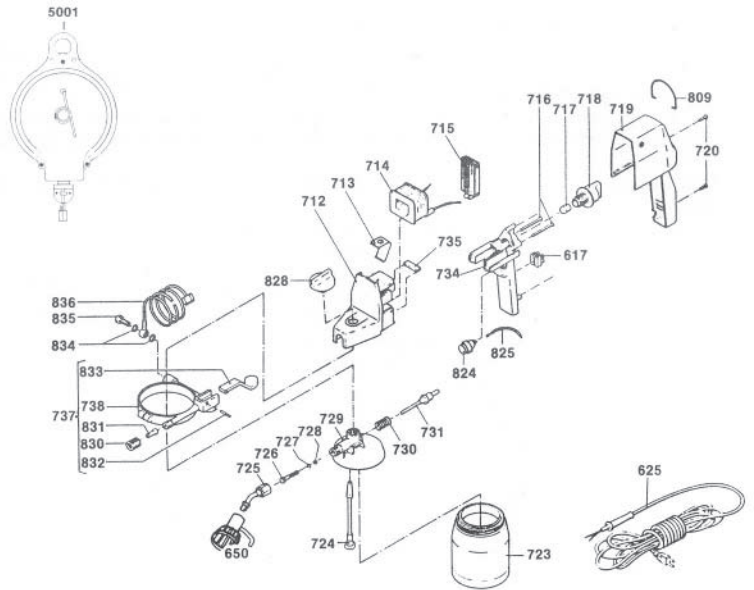


PARTS LIST & DIAGRAM

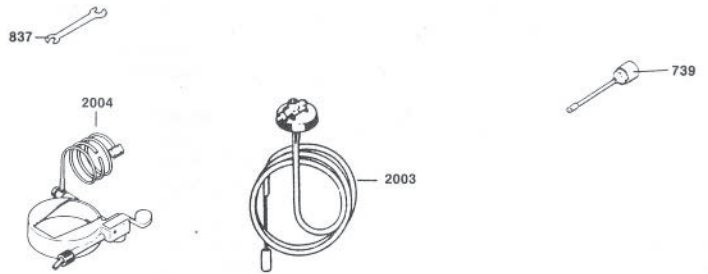
SG-5000 SPARE PARTS

617. Terminal block	725. Bent nozzle extension
625. Cord U.S. type	726. Swirl piece
650. VARIA nozzle with basket	727. Valve safety device
712. Motor Housing	728. Valve ball
713. Armature spring	729. Pump housing
714. Coil 120V 60Hz	730. Piston spring
715. Oscilating armature	731. Piston
716. Screw 4 x 35 mm	734. Handle
717. Rubber buffer	735. Rubber bolster
718. Adjustment knob 100V / 120V	809. Hook
719. Hood	824. Switch
720. Screw 3, 9 x 16 mm	825. Flexible wire
723. Container	828. Wing screw
724. Suction tube	



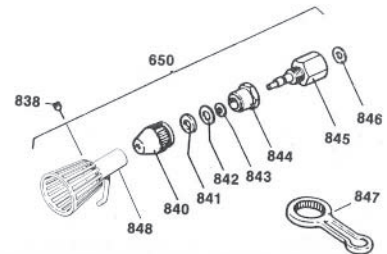
SG-5000 SPECIAL ACCESSORIES

737. Air nozzle/trigger piece	833. Lever
738. Air nozzle/trigger piece with valve	834. Bushing
739. Straight jet nozzle	835. Hollow screw
830. Sleeve nut	836. Spiral air hose
831. Swivel nozzle	837. Fork spanner
832. Set screw	



ADJUSTABLE NOZZLE

838. Set screw	844. Screw body
840. Nozzle head	845. Nozzle spinner
841. Teflon ring	846. Teflon washer
842. Brass washer	847. Spanner (for dismantling)
843. C-Ring	848. Nozzle sleeve with Guard



OPTIONAL ACCESSORIES

2003. Suction Tube Extension	5001. Albatross Gun Reel
2004. Air Dryer Attachment	