

# Foster

## ON-A-ROLL LIFTER® JUMBO

One operator can easily lift rolls as heavy as 990 lbs (450 kg), as wide as 16 feet 4 inches, and with diameters as great as 19.6 inches. Designed in collaboration with EFI, Foster On-a-Roll Lifter® Jumbo is perfect for businesses operating grand- or extra-wide printers, fabric printers, or those handling floor coverings and similar materials.



### IMPORTANT FEATURES

- Pair of heavy-duty swivel casters with easy step-on locking brake
- Reduces on-the-job injuries and enables all workers to move heavy rolls
- User-friendly operation avoids costly and dangerous handling mistakes that damage media
- Rugged construction ensures long lifter life
- Single-person operation saves labor and time

### MODEL 61577

Roll Weight Capacity.....	450 kg (990 lbs)
Lift Height .....	1500 mm (59")
Max. Roll Width .....	5 m (16'.5")
Max. Roll Diameter .....	500 mm (19.6")
Width x Depth.....	1200 mm x 774.8 mm (47.24" x 30.51")
Height.....	1555 mm (61.22")
Weight .....	134 kg (295 lbs)
Bottom Fork Clearance .....	110 mm (4.3")

2-year warranty on all wheels, hydraulics and media tray.  
5-year warranty on cross bars.

toll free (USA and Canada only) 800.523.4855 or 267.413.6220 • fax 267.413.6227

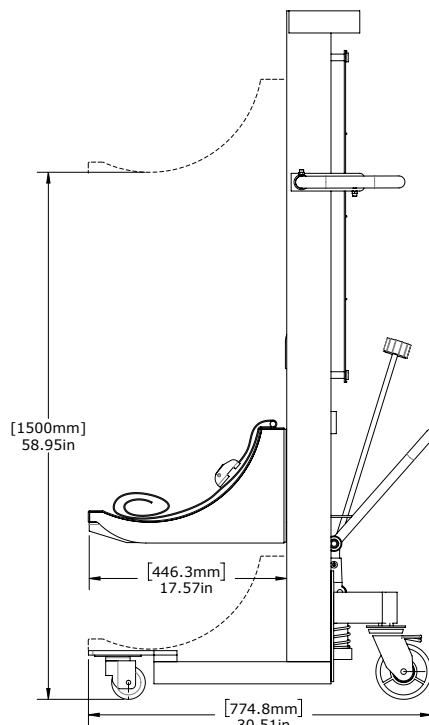
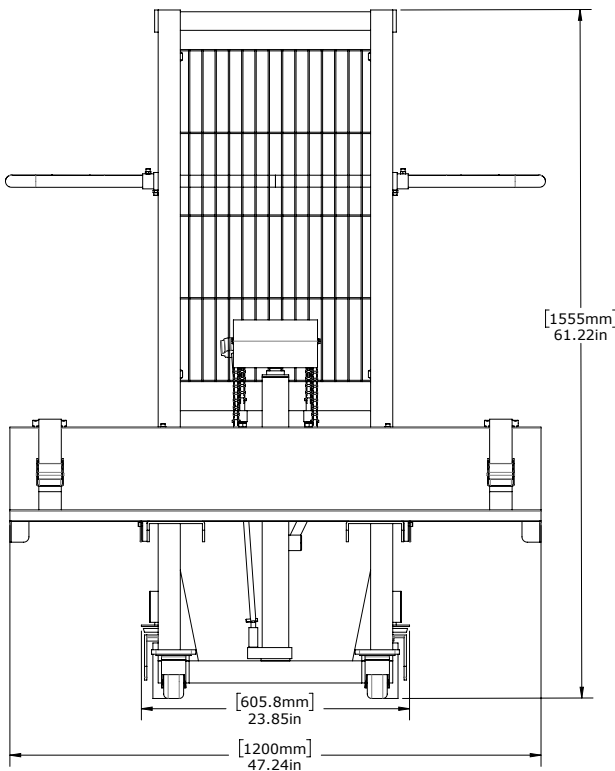
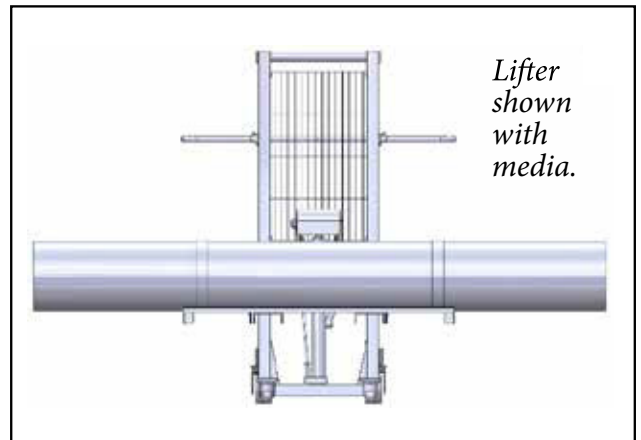
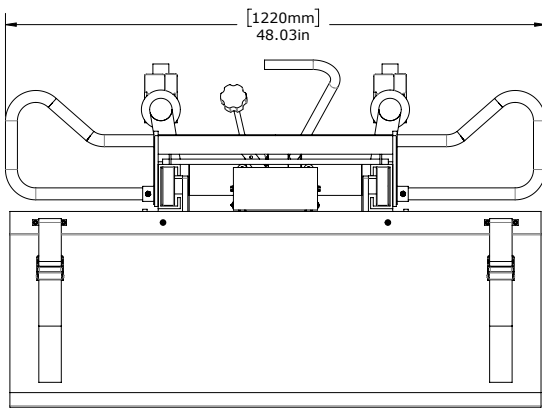
204B Progress Drive, Montgomeryville, PA 18936 USA • information@go-foster.com • www.go-foster.com



## ON-A-ROLL LIFTER® JUMBO SPECIFICATIONS 61577

Use the drawings below and the specifications overleaf to ensure the On-a-Roll Lifter Jumbo is right for your shop.

- THINGS TO CONSIDER:
- Maximum lift height required
  - Maximum and minimum roll diameter
  - Will any obstructions prohibit moving the lifter close to the receiving machine?
- Still have questions? Call 800.523.4855



toll free (USA and Canada only) 800.523.4855 or 267.413.6220 • fax 267.413.6227

204B Progress Drive, Montgomeryville, PA 18936 USA • [information@go-foster.com](mailto:information@go-foster.com) • [www.go-foster.com](http://www.go-foster.com)

THIS PRODUCT IS BROUGHT TO YOU BY

**NAZDAR**  
SOURCE ONE

VISIT US ONLINE  
[SourceOne.Nazdar.com](http://SourceOne.Nazdar.com)

CALL US  
888-578-5713

© 2022 Nazdar. All Rights Reserved.  
Specifications subject to change without notice.