



## INSTRUCTIONS AND CARE

Congratulations, you have just purchased one of the finest spot cleaning guns available today. It is manufactured to TEKMAR's high quality standards from the best available materials and parts. When used as directed it should provide years of trouble free service.

For safe operation it is important to understand that this is not a toy. It is a high powered airless spray gun which has the potential, when not used as directed, to cause a serious puncture wound.

### SAFE OPERATING INSTRUCTIONS

*Never point the gun at any part of your body or at any other person.*

*Always check electric cord for damage before using. If damaged do not attempt any temporary repairs.*

*Only use with adequate ventilation and always wear eye protection.*

*Use only approved cleaning solvents. Never spray flammable solutions into the air.*

### INSTRUCTION FOR USE

1. Fill fluid bottle 4/5 full and replace on gun. Squeeze trigger until gun primes and fluid comes out of the nozzle.
2. Place garment to be cleaned on a clean absorbent cloth or exhaust surface. Direct a jet of cleaning solvent through stain in a circular motion, until soil is flushed through.
3. To avoid ringing adjust nozzle to wide spray pattern and spray around wet edge to feather out giving a smooth transition from wet to dry.
4. Always test fabric in an inconspicuous area to ensure color fastness.

### CARE OF GUN

Weekly (or daily for high use) apply 2 or 3 drops of a light lubricating oil to the oil hole on top of the gun behind the pump.

**Never use with a corrosive or water based cleaner** (this will also void warranty).

Periodically (or if the gun is to be stored for any period of time) drain it of any cleaning fluid and run a light machine oil (3 in 1 type) for a few seconds.

**For more information please contact**

**CUSTOMER LINE (800) 564 1096**

**TEKMAR™**

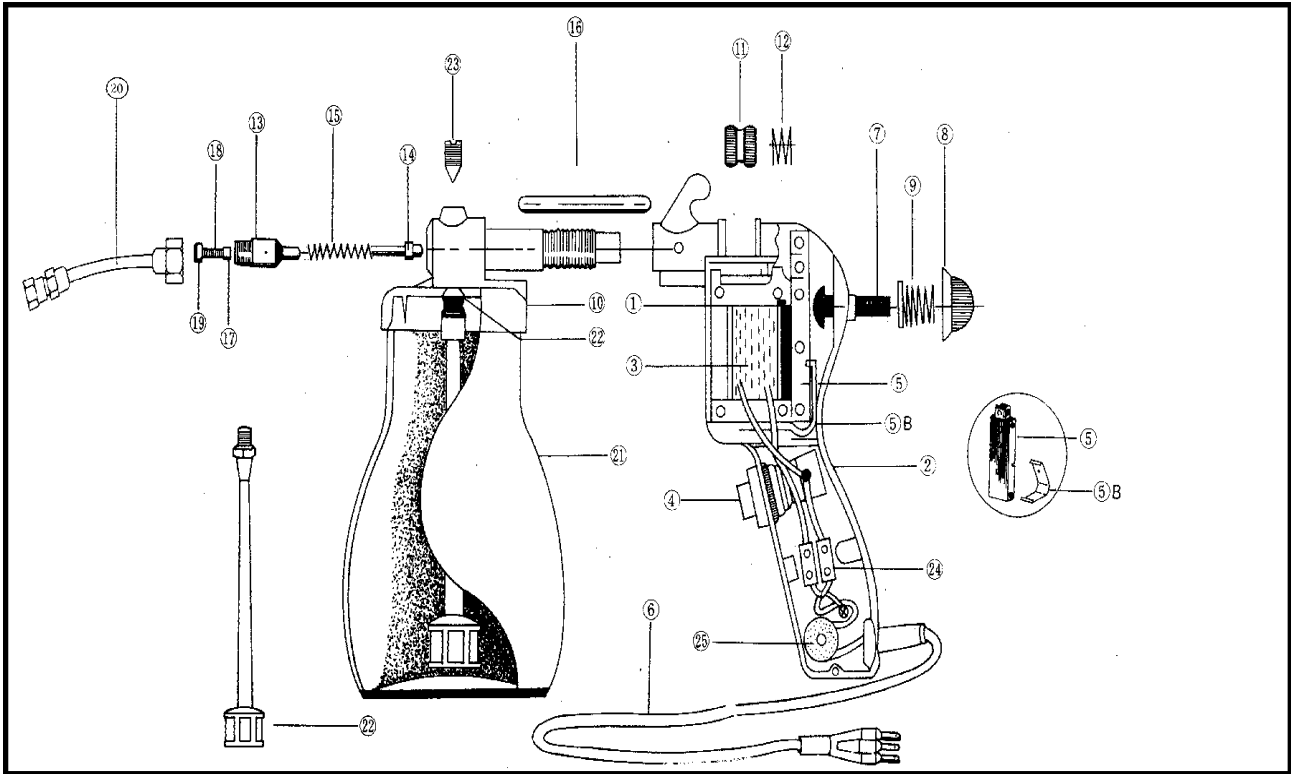
TECHNICAL MARKETING LTD.

P.O. BOX 4700

SANTA BARBARA, CA. 93140

TEL (805) 965 0704 FAX (805) 963 7794

# TARGET™ TG-200



Position	Part #	Description	Position	Part #	Description
1.	200-01	GUN HOUSING	13.	200-13	PUMP CYLINDER
2.	200-02	HANDLE SET	14.	200-14	PISTON
3.	200-03	COIL MOTOR	15.	200-15	PISTON SPRING
3.	200-03-220	220V COIL MOTOR	16.	200-16	PUMP ROD
4.	200-04	SWITCH	17/18/19	200-17	VALVE
5.	200-05	ARMATURE	20.	TG1	NOZZLE
5B.	200-05B	ARMATURE SPRING	21.	200-21	CONTAINER
6.	200-06	ELECTRIC CORD	22.	200-22	SUCTION TUBE
7.	200-07	BUFFER	23.	200-23	PUMP SCREW
8.	200-08	VOLUME CONTROL	24.	200-24	TERMINAL BLOCK
9.	200-09	VOLUME SPRING	25.	200-25	RUBBER GUIDE
10.	200-10	PUMP HOUSING			
11.	200-11	ADJUSTING ROLLER			
12.	200-12	ROLLER SPRING			

**When ordering parts, to avoid incorrect items being shipped always have the gun model # and part #'s available.**