



# ALBA-CHEM VENTA-2M EXTRACTOR OWNERS MANUAL



**ALBATROSS®** **EXPERT. Worldwide**  
[www.albatross-usa.com](http://www.albatross-usa.com)

36-41 36th Street, P.O. Box 6446 Long Island City, NY 11106  
Tel:(800)233-4468 Fax: (718)392-2899 e-mail: [sales@albatross-usa.com](mailto:sales@albatross-usa.com)

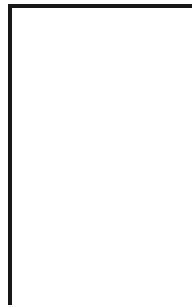
# **AlbaChem Venta-2M Cleaning Station**

## **Installation Instructions**

- 1) **Open carton and carefully and remove contents:**
  - A. **Venta-2M Body**
  - B. **Stand**
  - C. **Stand support bar**
  - D. **Support Pole (2 pieces)**
  - E. **Gun Reel**
  - F. **4" PVC Elbow**
  - G. **Hardware (1  $\frac{3}{4}$ " bolt X 4,  $\frac{3}{4}$ " bolt X 2, washer X 6, lock washer X 4, locking knob x 1, "S" hook x 1)**
- 2) **Set up stand, attach stand support bar using  $\frac{3}{4}$ " bolts and large washers**
- 3) **Place Venta-2M body on the stand so the holes align. Secure 2M body to stand using the 4 bolts, washers, lock washers, and nuts.**
- 4) **Insert straight support pole into holder and secure with lock knob. Insert "L" shaped support pole into straight support pole.**
- 5) **Hang gun reel from tag hole in the support pole via the "S" hook (included) and adjust gun reel to desired tension.**
- 6) **If desired attach PVC elbow to exhaust port.**
- 7) **Attach exhaust hose (not supplied).**
- 8) **Attach spot gun to gun reel and plug into supplied outlet on the Venta-2M.**
- 9) **Plug in Venta-2M.**
- 10) **Start vacuum via the on/off switch. Turn off vacuum when not in use.**
- 11) **DO NOT USE WITH FLAMMABLE LIQUIDS**

# VENTA-2M PARTS DIAGRAM

#100M  
Pole Support



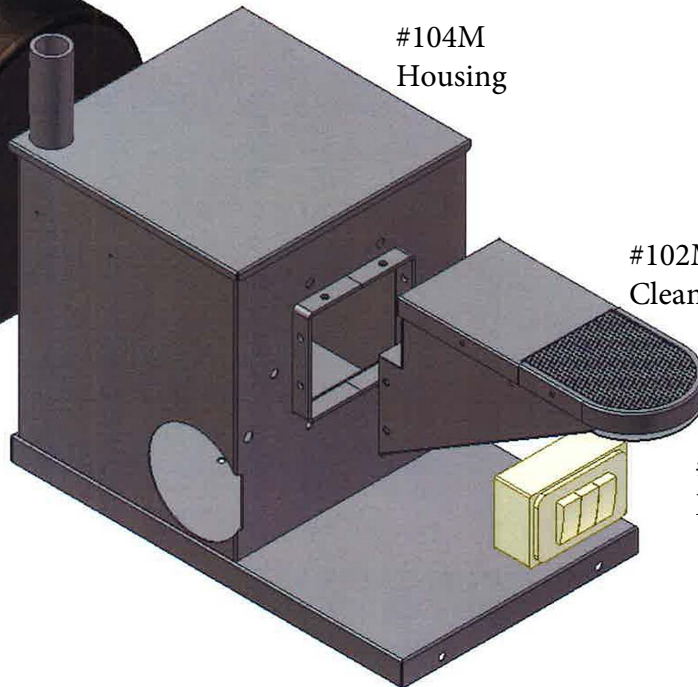
#5001  
Gun Reel



#101M  
Blower w/Motor



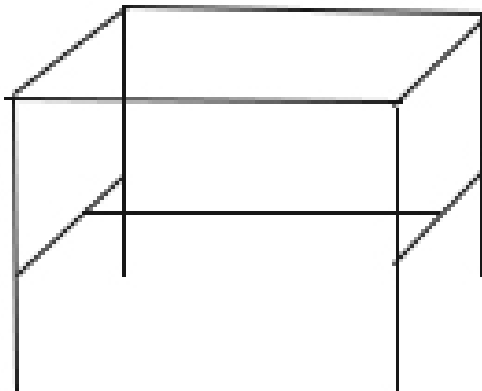
#104M  
Housing



#102M  
Cleaning Buck/Arm

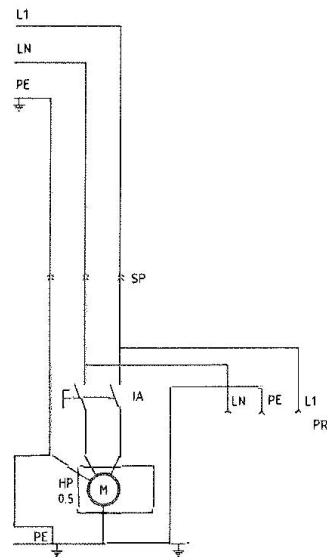
#103M  
Electrical Box

#105M  
Stand



# WIRING DIAGRAM "VENTA 2M"

V 110 1 PH + N + PE



SP - PLUG 2P + PE USA - SASO  
 IA - VACUUM EXHAUSTER SWITCH  
 M - VACUUM EXHAUSTER  
 PR - SOCKET 2P + PE USA -SASO

<b>Prestazioni / Performance</b>		
<i>Modello / Tipo</i>	<b>AM200</b>	<b>AT200</b>
<i>M/T</i>	<b>M</b>	<b>T</b>
<i>Volt / Hz</i>	<b>230 / 50</b>	<b>230-400 / 50</b>
<i>Rpm</i>	<b>2900</b>	<b>2900</b>
<i>Pm (kW)</i>	<b>0.36</b>	<b>0.25</b>
<i>I (A)</i>	<b>2.9</b>	<b>1.2 / 0.7</b>
<i>IP</i>	<b>54</b>	<b>54</b>
<i>Cl</i>	<b>F</b>	<b>F</b>
<i>q max (m<sup>3</sup>/h)</i>	<b>1050</b>	<b>1050</b>
<i>t<sub>e</sub> max (min)</i>	<b>87</b>	<b>87</b>
<i>Peso / Weight (Kg)</i>	<b>6.4</b>	<b>6.2</b>